

## FINISHED PRODUCT SPECIFICATION Isolation Gown Item Code A69961-C

### Intended Use

SMS Polypropylene Isolation Gown designed to protect health professionals and patients from cross infection, and that can be disposed of in general waste through routine housekeeping channels.

Protective ultrasonically sealed gown that meets AAMI PB70 level II barrier performance for protective apparel.

AAMI PB70 Level II		
Characteristic	Testing Methodology	Acceptable Limit
Impact Penetration	AATCC 42	≤ 1 g
Hydrostatic Pressure	AATCC 127	≥ 20 cm of H <sub>2</sub> O

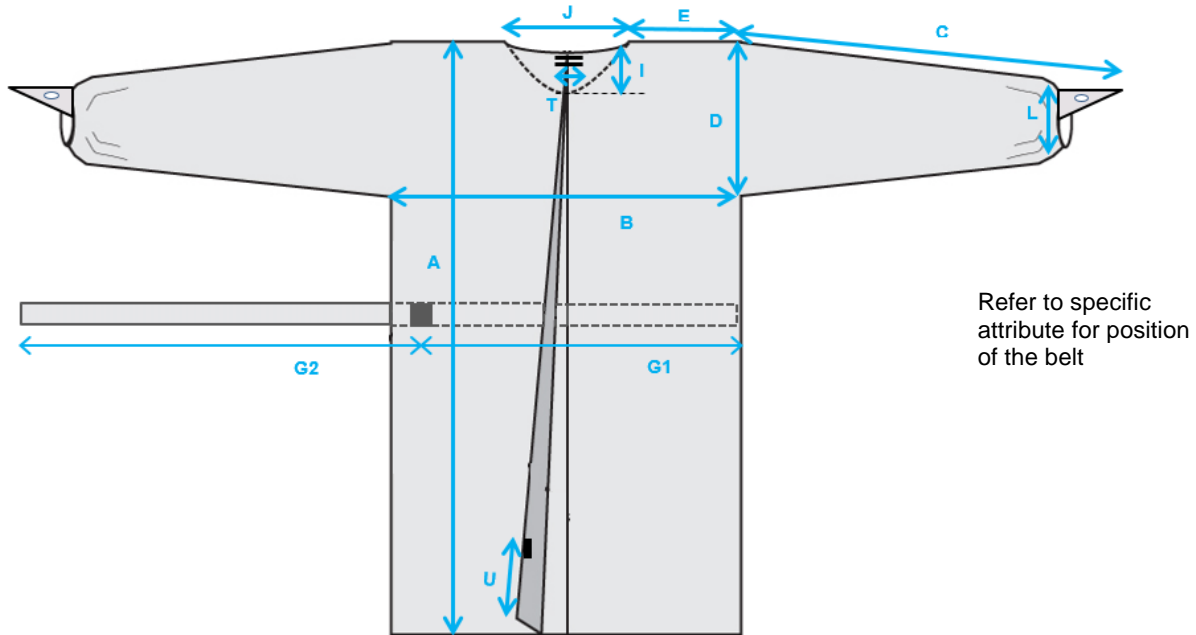
Characteristic	Specification
Material Composition	Spunbond Meltblown Meltblown Spunbond (SMMS) Polypropylene. Latex-Free
Description	Gown made of non-coated tri-layered non-woven material with full back closure. Features: flat waist belt, elastic cuffs with thumb loops, Over-The-Head (OTH) flexible neck closure made of two elastic strings.

Dimension Table		
Part of Gown		Dimension (cm)
		Universal Size
A	Gown Length	112
B	Underarm Width	71
C	Sleeve Length (Includes Thumb Loop)	65
D	Shoulder Height	30
E	Shoulder Width	23
	Belt Position	20 cm below the arm, 7 cm toward the front
G1	Belt Length Front	87
G2	Belt Length Back	93
	Belt Width	5
I	Collar Depth	10
J	Collar Width	22
L	Cuff Width (Stretched)	14
T	Elastic Strings	9
U	Tag Position	23,5 (Left side of back only)

## FINISHED PRODUCT SPECIFICATION Isolation Gown Item Code A69961-C

### Measurement Diagram

Back View



Refer to specific attribute for position of the belt

### Additional Information

Storage Condition	Country of Origin
Store under ambient temperature and dry condition	Cambodia

### Appendix 1 List of Item Codes and Attributes

## Appendix 1 (List of items)

AMD Medicom Inc.

Item Code	Description	Packaging Information	Size	Color	Specific Attribute	Treatment
A69961-C	AMD-Ritmed Assure Wear VersaGown	10 Gowns/Bag, 10 Bags/Case, 100 Gowns/Case	Universal	Yellow	Belt on the left side	Non-Sterile

## TECHNICAL DATA SHEET Over-The-Head Isolation Gown A69941-C

### Intended Use

SMS Polypropylene Isolation Gown designed to protect health professionals and patients from cross infection, and that can be disposed of in general waste through routine housekeeping channels.

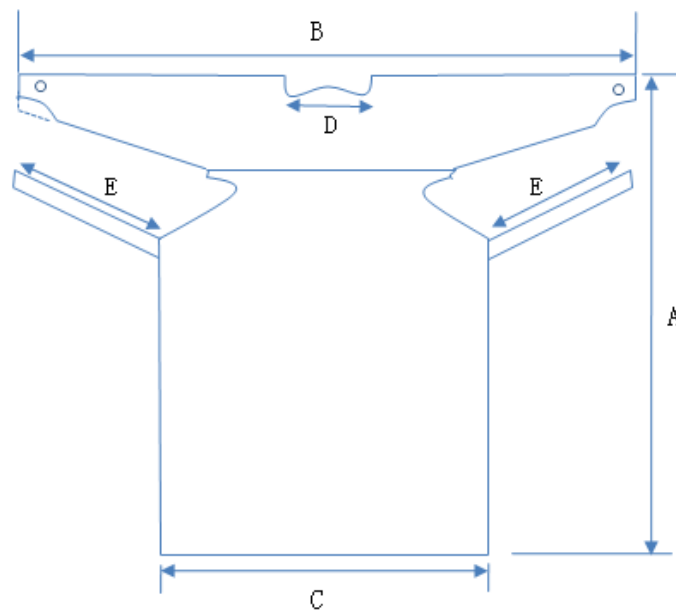
Characteristic	Specification
Material Composition	Spunbond Meltblown Spunbond (SMS) Polypropylene. Latex-Free
Description	Gown made of non-coated tri-layered non-woven material with open back. Features: Over-The-Head (OTH) neck style, apron waist ties and thumb loops.

### Dimension Table

Part of Gown		Dimension (cm)
		Universal Size (cm)
A	Gown Length	110,5
B	Full Arm Span	195,5
C	Gown Width	104,5
D	Collar Width	27,5
E	Tie Length	70,5

### Measurement Diagram

Back view



### Additional Information

Storage Condition	Country of Origin
Store under ambient temperature and dry condition	Bangladesh and/or Cambodia

### Appendix 1 List of Item Codes and Attributes

## Appendix 1 (List of items)

AMD Medicom Inc.

Item Code	Description	Packaging Information	Size	Color	Treatment
A69941-C	AMD-Ritmed Versagown Over-The-Head Isolation Gown	10 Gowns/Bag, 10 Bags/Case, 100 Gowns/Case	Universal	Yellow	Non-Sterile

## TECHNICAL DATA SHEET Poly-Coated Impervious Isolation Gown A69958-C

### Intended Use

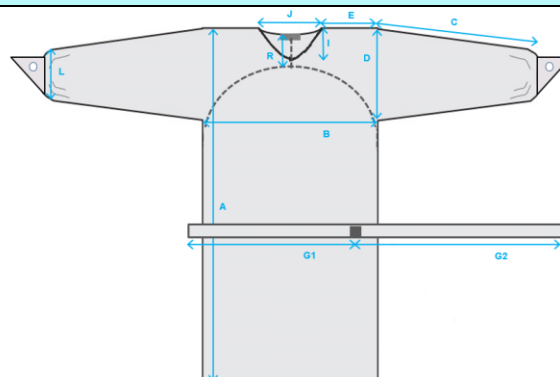
Impervious Isolation Gown designed to protect health professionals and patients from cross infection, and that can be disposed of in general waste through routine housekeeping channels. Material meets AAMI/PB70 Level 1 requirements for impact penetration as per AATCC 42.

Characteristic	Specification
Material Composition	Polypropylene (PP) & Polyethylene (PE). Latex-Free
Description	Gown made of non-woven polycoated material with open back. Features: Flat waist belt, elastic cuffs with thumb loops, Over-The-Head (OTH) flexible neck closure made of two elastic strings, protective material around the collar and breakaway features.

Dimension Table		
Part of Gown		Dimension (cm)
		Universal Size (cm)
A	Gown Length	112
B	Under Arm Width	71
	Under Arm Length	80
C	Sleeve Length (Excludes Thumb Loop)	65
D	Shoulder Height	30
E	Shoulder Width	23
G1	Belt Length Front	87
G2	Belt Length Back	93
	Belt Width	5
	Belt Position	18 cm below the arm, 7 cm toward the front
I	Collar Depth	10
J	Collar Width	22
L	Cuff Width (Stretched)	14
	Cuff Hole	Diameter 2,5 cm, 2 cm from the edge
	Trim Length	54
	Elastic String Length	11
R	Center Back Height	13

### Measurement Diagram

Front view



Refer to specific attribute for position of the belt

**TECHNICAL DATA SHEET**  
**Poly-Coated Impervious Isolation Gown**  
**A69958-C**

**Additional Information**

Storage Condition	Country of Origin
Store under ambient temperature and dry condition	Cambodia

**Appendix 1 List of Item Codes and Attributes**

## Appendix 1 (List of items)

AMD Medicom Inc.

Item Code	Description	Packaging Information	Size	Color	Specific Attribute	Treatment
A69958-C	AMD-Ritmed Assure Wear Impervious Isolation Gown	10 Gowns/Bag, 10 Bags/Case, 100 Gowns/Case	Universal	Blue	Belt on the left side	Non-Sterile



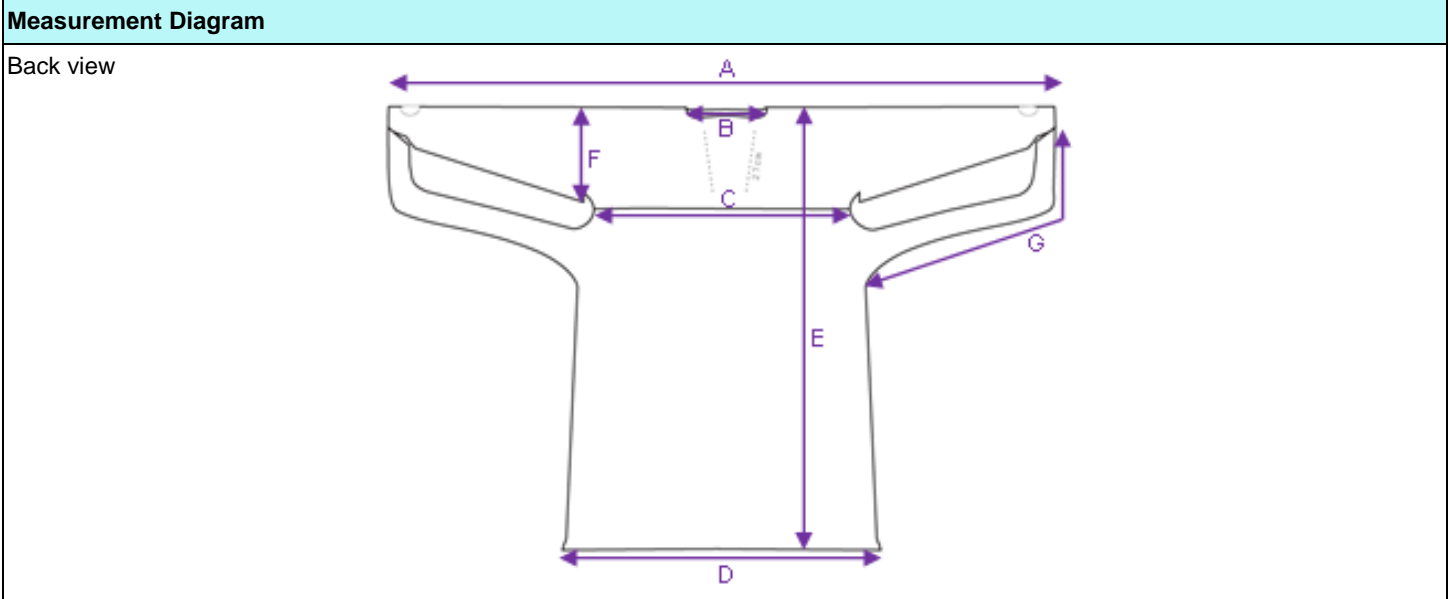
## TECHNICAL DATA SHEET Fluid Impervious Gown 8025-C

### Intended Use

Procedure Fluid Gowns designed to protect health professionals and patients from cross infection, and that can be disposed of in general waste through routine housekeeping channels. Single use. Material meets AAMI/PB70 Level 1 requirements for impact penetration as per AATCC 42.

Characteristic	Specification
Material Composition	Polyethylene film, Latex free
Description	Gown made of polyethylene film with open back. Features: Over-the-Head (OTH) neck style, thumb loops and apron waist ties

Dimension Table		
Part of Gown		Dimension (cm)
		Universal Size
A	Full arm span	200
B	Neck opening width	23
C	Underarm width	68
D	Gown width	95
E	Gown length	122
F	Shoulder height (Excluding seam)	33
G	Belt length	85



### Additional Information

Storage Condition	Country of Origin
Store under room temperature and dry condition	Bangladesh and/or Cambodia

### Appendix 1 List of Item Codes and Attributes

## Appendix 1 (List of items)

AMD Medicom Inc.

Item Code	Description	Packaging Information	Size	Color	Treatment
8025-C	AMD-Ritmed Impervious Gown	1 Gown/Bag, 15 Bags/Box, 5 Boxes/Case, 75 Gowns/Case	Universal	Blue	Non-Sterile